



**Designed for curved staircases,
stairs with intermediate landings
or where out-of-the-way
parking is desired**

Durable, reliable and easy to use

**Battery operated with built-in charging
stations so the chair is always ready
to go even during a power failure**

Savaria® Stairfriend Stairlift

FOR CURVED STAIRCASES



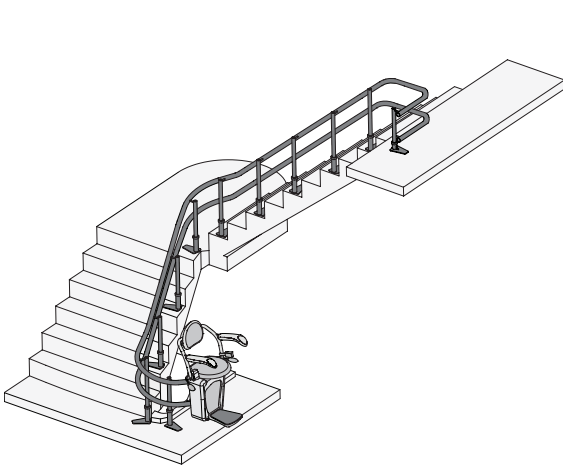
Many people dread the thought of moving just to avoid climbing stairs. After all, this is the home you've enjoyed for many years with family and friends. The Savaria Stairfriend can give you the freedom to stay in your home and enjoy it without the worry of navigating stairs. Ride in comfort around curves, landings or changes in direction with the Stairfriend, specifically designed for your home.

Installing the Savaria Stairfriend usually involves only two visits to your home. The first visit includes a precision measuring session to ensure a perfect fit for your stairs and the installation is easily completed on the second visit. Move up, not out with Stairfriend, from industry leader Savaria.

 **savaria®**

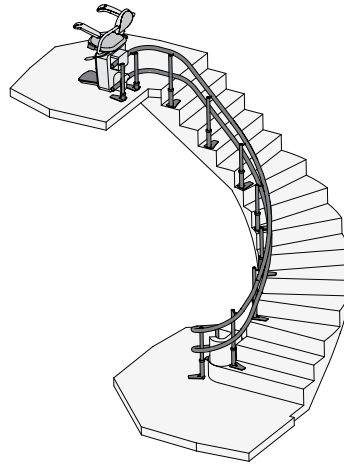
all types of stairs

The Stairfriend can be installed on virtually any type of staircase.



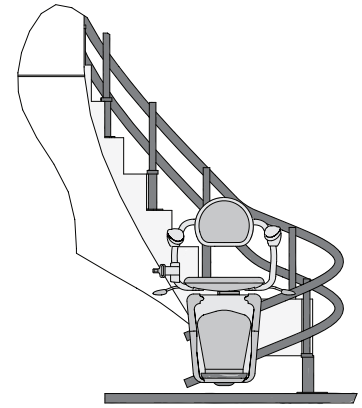
LANDINGS OR TURNS

Many staircases feature an intermediate landing that may also accommodate a turn in the direction of the stairs. Stairfriend can easily be configured to travel at virtually any angle to follow the path of your stairs. The travel rail can be mounted close to the wall on self support posts or alongside the railing.



CURVES OR SPIRALS

Spiral or curved stairs can be very complex to accurately measure by hand, but with the Savaria photo measuring system, no curves are too challenging to measure with accuracy. This ensures a perfect fit for installation, making installation services very efficient.



OPTIONAL FEATURES

The Stairfriend can also accommodate optional features such as out-of-the way parking, that allows you to park your chair away from the bottom or top of your stairs. You can also add an overrun of rail to extend the Stairfriend stop position to a more convenient location. These optional features can be added to any configuration of stairs.

features to count on

BATTERY OPERATED

Stairfriend is battery powered with built-in charging stations located at the top and bottom landings. If you experience a power failure, your stairlift can be operated typically with several trips up and down. Additional charging stations are added at intermediate landings for added convenience.

EASY OPERATION

Stairfriend can carry up to 350 lbs and includes two radio frequency remote controls in addition to the easy-to-use armrest controls.



Seat, arms and footrest fold up compactly.

HIDE-A-WAY OPTIONS

To keep the unit compact when not in use, the footrest and seat fold up. You can also add a parking feature that allows the chair to land around a bend at the bottom or top of the stairs, keeping the stairway completely clear when the unit is not running.



Add parking to any type of stairs

perfect fit process



INITIAL CONSULTATION

A consultation from an authorized Savaria dealer ensures that the Stairfriend is designed for your needs and your home. Your dealer will set up a measuring session when you are ready to proceed.

MEASURING SESSION

Precision photo measuring guarantees a perfect fit of the rail to your stairs. For simpler staircases, traditional hand measuring may be used.

MANUFACTURING

A computer-aided drawing is created by Savaria for production at our North American manufacturing facility.

INSTALLATION

Your Savaria dealer installs your custom-built Stairfriend in about a day.



The swivel and lock seat keeps the chair stable for deboarding.

RELIABLE QUALITY

Built by industry leader Savaria, the Stairfriend is designed to deliver long lasting reliability in your home. Stairfriend features a smooth start and stop using a rack and pinion drive on the double rail system. The Stairfriend is backed by a 3 year parts warranty.

SAFETY AT EVERY TURN

The Savaria Stairfriend has many safety features including a retractable seat belt, overspeed brake, footrest and carriage obstruction sensors, and a swivel and lock seat to enable deboarding at the top landing angled away from the stairs.

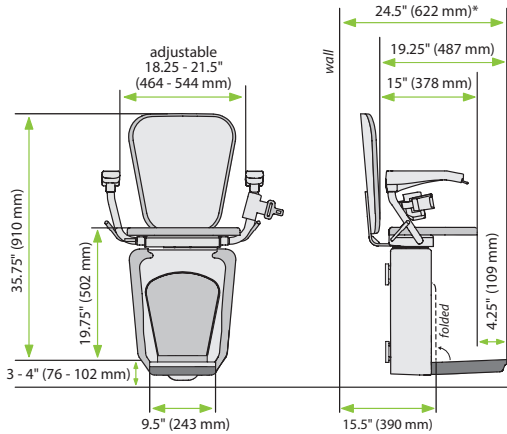


Choose the seat that is right for you.

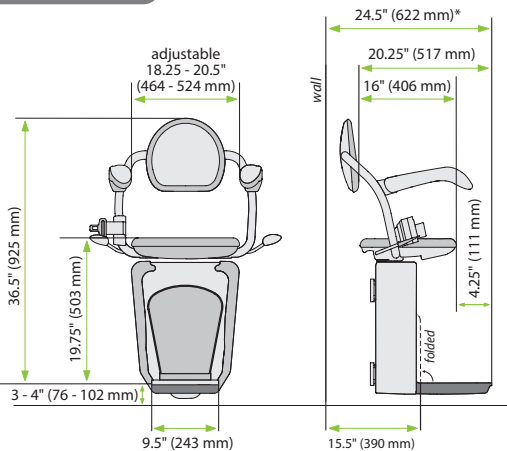
Savaria® Stairfriend Stairlift

FOR CURVED STAIRCASES

SEAT L



SEAT V



*at level landing

SPECIFICATIONS

Applications	Residential, commercial*, indoor, curved stairs
Capacity	350 lbs/160 kg
Nominal Speed	20 ft/min (0.1 m/s), 12 ft/min (0.06 m/s) through curves
Drive	Rack and pinion
Motor	½ hp, 24V (DC) power that charges on standard household power
Fold-up width	14 ½", 37 cm
Fold-out width	25 ½", 64.5 cm
Range of incline	0° to 52°
Warranty	36 months parts, ask dealer for details

* commercial use varies by region, consult your authorized Savaria dealer for details

about savaria



In business for over 30 years, Savaria designs, engineers and manufactures products to help people gain personal mobility. We produce elevators – from basic to luxurious – for homes and select commercial applications. We also make a complete range of accessibility lifts for residential use and demanding commercial environments.

All of our products are made with the goal of helping people move – whether it's to improve mobility issues or to simply make life easier. Authorized Savaria dealers are carefully selected for their knowledge and experience, kept up-to-date with the latest technical and training sessions, and supported with our expert customer service.

Your authorized Savaria dealer provides measuring services and professional installation of the Savaria Stairfriend. To locate a dealer near you, call us today at 1-855-Savaria.

Authorized Savaria dealer:

 **savaria.**

www.savaria.com

2 Walker Drive, Brampton, ON L6T 5E1 Canada

tel: 800.661.5112 fax: 905.791.2222